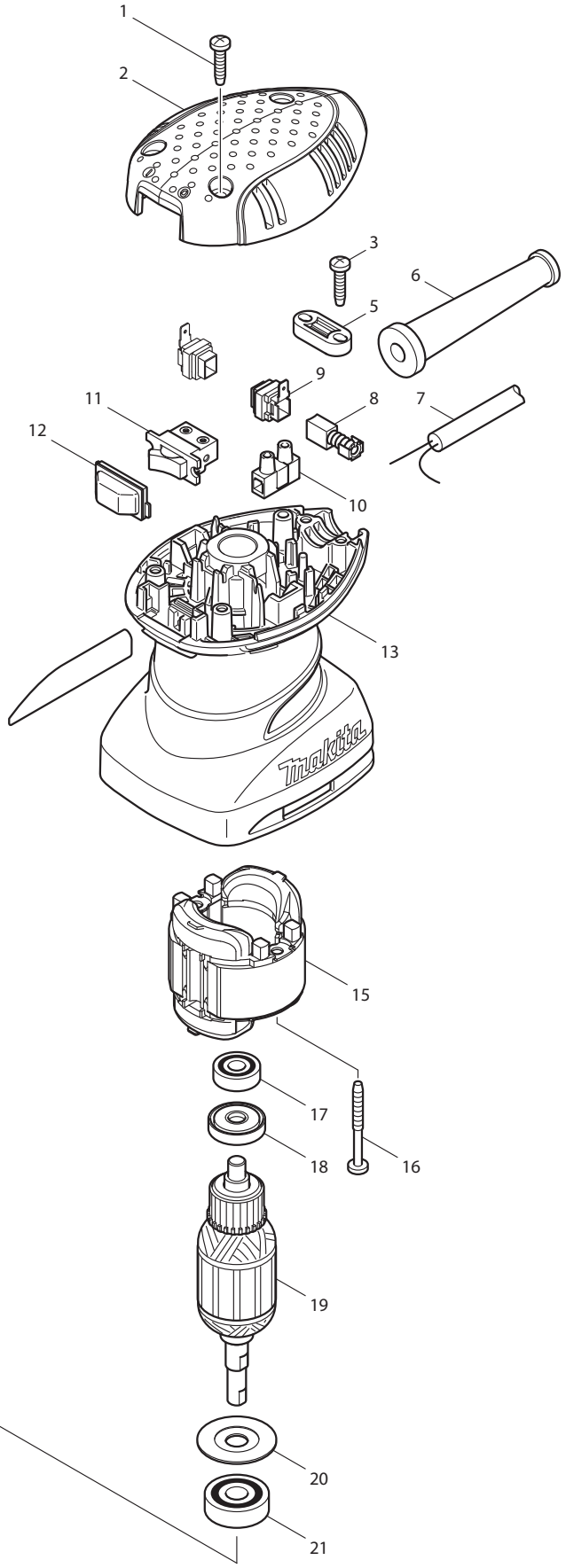
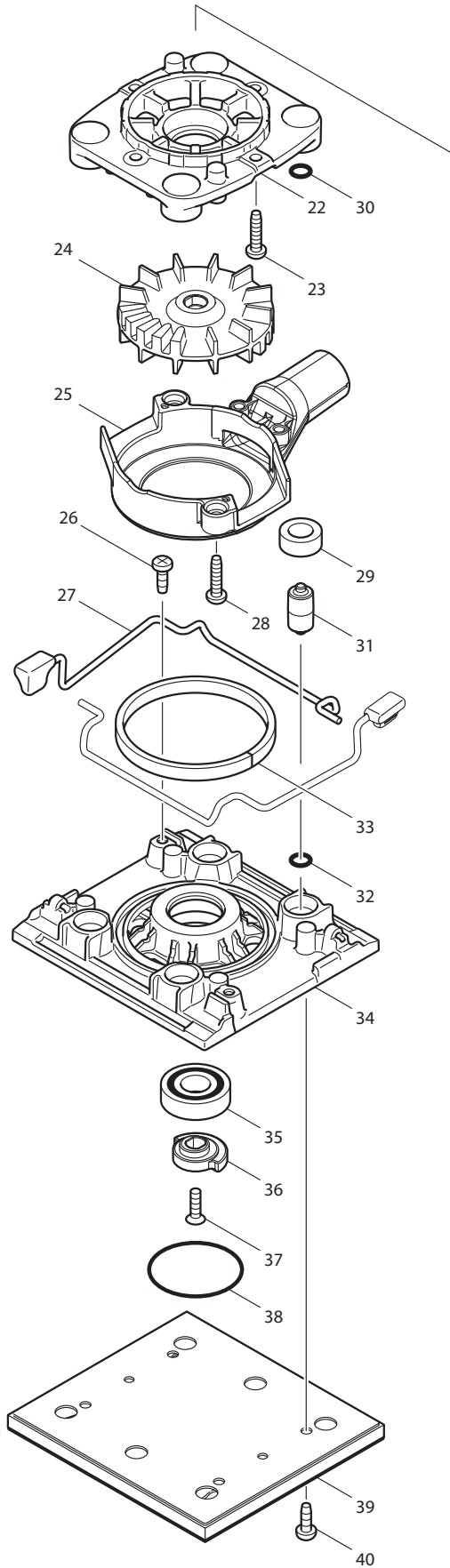




11- 2009

BO4555K

# 1/4 SHEET FINISHING SANDER



Item No	Type	Ref	Ref Part No	Description	Qty	Unit
001			265995-6	TAPPING SCREW 4X18	3	PC.
002			450071-1	TOP COVER	1	PC.
003			265995-6	TAPPING SCREW 4X18	2	PC.
005			687123-7	STRAIN RELIEF	1	PC.
006			682569-2	CORD GUARD 8-85	1	PC.
007			664881-2	CORD W/PLUG 2P-18-2.0M, SJO	1	PC.
008	2		195007-0	CARBON BRUSH CB-407 2PC/SET, W/O ORIGIN	1	SET
009			643995-0	BRUSH HOLDER	2	PC.
010			654532-5	TERMINAL BLOCK 1P	1	PC.
011			651527-9	SWITCH	1	PC.
012			424039-3	SWITCH COVER	1	PC.
013			158373-6	MOTOR HOUSING COMPLETE	1	PC.
		INC.	810330-9	CAUTION LABEL	1	PC.
014			863728-9	NAME PLATE F/ BO4555	1	PC.
015			593646-4	FIELD ASS'Y 115V	1	PC.
	2	INC.	654086-2	RECEPTACLE	2	PC.
016			266048-4	TAPPING SCREW 4X40	2	PC.
017	3		210293-3	* BALL BEARING 607ZZ	1	PC.
018			681652-2	INSULATION WASHER	1	PC.
019			515706-2	ARMATURE ASS'Y 115V	1	PC.
		INC.		Item No. 17,18,20,21		
020			267806-1	WASHER 9	1	PC.
021			211092-6	BALL BEARING 629DDW	1	PC.
022			450070-3	BEARING BOX	1	PC.
023			265995-6	TAPPING SCREW 4X18	4	PC.
024			241671-6	FAN 63	1	PC.
025			450069-8	FAN GUIDE	1	PC.
026			266020-6	TAPPING SCREW 4X12	2	PC.
027			162259-8	LEVER COMPLETE	2	PC.
028			265995-6	TAPPING SCREW 4X18	2	PC.
029			424023-8	SPONGE SLEEVE 9	4	PC.
030			213983-7	O RING 4	4	PC.
031			318151-8	FOOT	4	PC.
032			213983-7	O RING 4	4	PC.
033	1		424038-5	* SPONGE 6X185X3	1	PC.
	2		424684-4	* SPONGE 7X87X3	1	PC.
034			450067-2	BASE	1	PC.
035			211131-2	BALL BEARING 6001DDW	1	PC.
036			313141-6	BALANCER	1	PC.
037			912117-6	COUNTERSUNK HEAD SCREW M4X12	1	PC.
038			213510-0	O RING 36	1	PC.
039			158323-1	PAD COMPLETE	1	PC.
040			266020-6	TAPPING SCREW 4X12	4	PC.

**ACCESSORIES**

- See catalogue or visit [www.makita.ca](http://www.makita.ca) for more optional accessories -

A01			166078-4	DUST BAG	1	PC.
	Opt.		135222-4	DUST BAG ASSY	1	PC.
		INC.		Item No. A01 - A04		
A02			257202-1	RING 25	1	PC.
A03			416063-0	DUST BAG NOZZLE	1	PC.
A04			416064-8	DUST NOZZLE	1	PC.
A05			450066-4	PUNCH PLATE	1	PC.

Item No	Type	Ref	Ref Part No	Description	Qty	Unit
A06			824806-0	PLASTIC CARRYING CASE	1	PC.
		INC.	163455-1	LATCH	2	PC.
		INC.	419360-3	HANDLE	1	PC.
A07			805617-2	MODEL NO. LABEL F/ BO4555K	1	PC.
A08			794296-0	ABRASIVE PAPER 114-140 3PCS (60G, 100G, 150G)/SET	1	SET
			794216-4	ABRASIVE PAPER 114X140 AA60, 10PCS/SET	1	PC.
			794215-6	ABRASIVE PAPER 114X140 AA100, 10PCS/SET	1	PC.
			794214-8	ABRASIVE PAPER 114X140 AA150, 10PCS/SET	1	PC.
A09			135246-0	DUST BOX ASSY	1	PC.
A10			194746-9	PAPER DUST BAG 5PC/SET	1	SET
A11			195133-5	FILTER DUST BAG 5PC/SET	1	SET

### SERVICE CHANGES

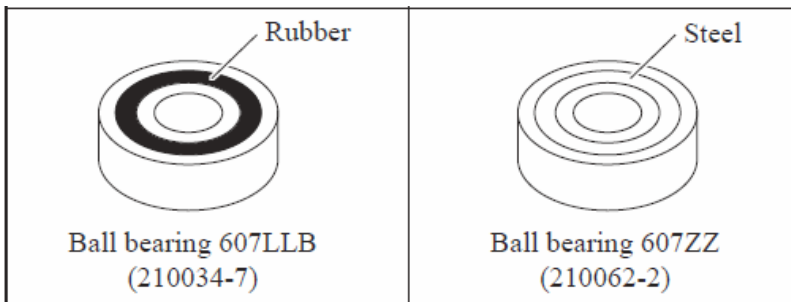
#### 1. Changes on Ball Bearing

(TI#A4758)

Item No	Description	Type 1	Type 2
17	Ball Bearing 607LLB >> Ball Bearing 607ZZ	210034-7	210062-2

Type 1

Type 2



#### 2. Changes on Sponge

(TI#A5719,B4352)

Item No	Description	Type 1	Type 2
33	Sponge 6x185x3 >> Sponge 7X87X3	424038-5	424684-4

Type 1

Type 2

